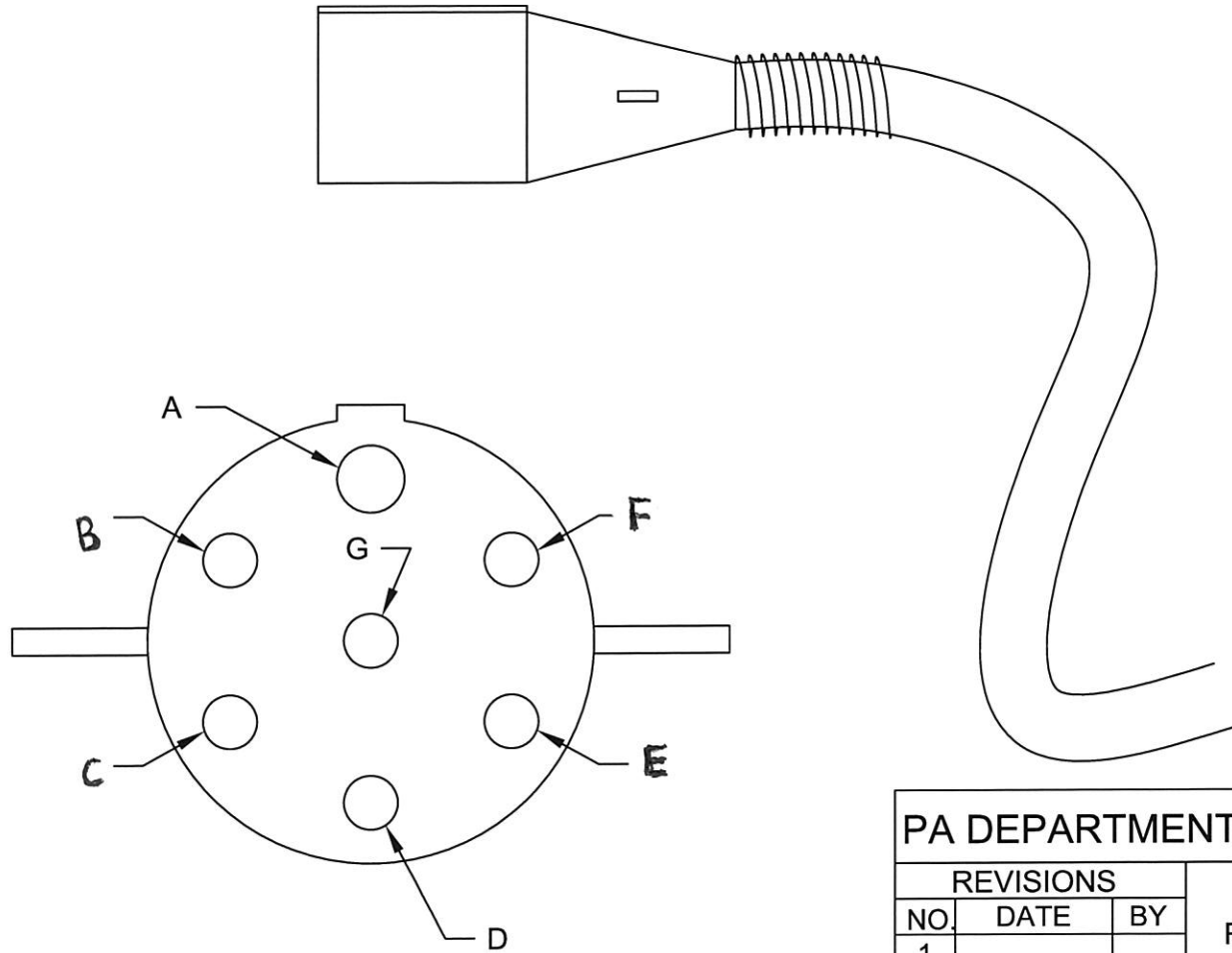


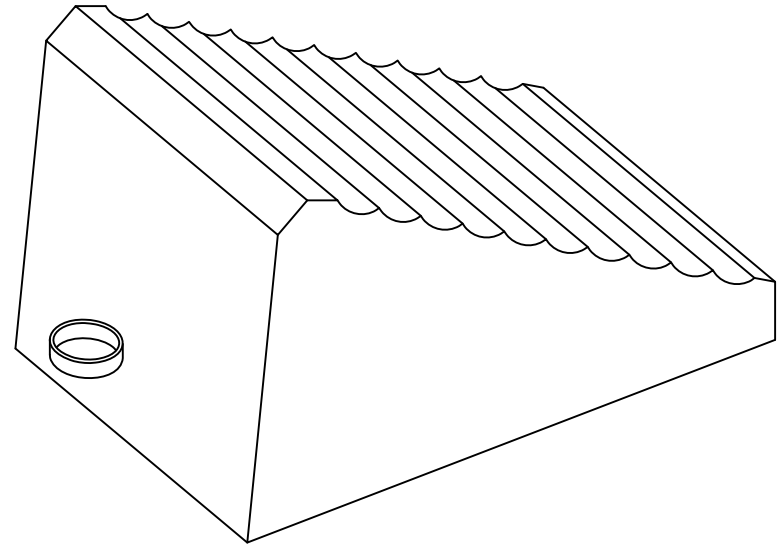
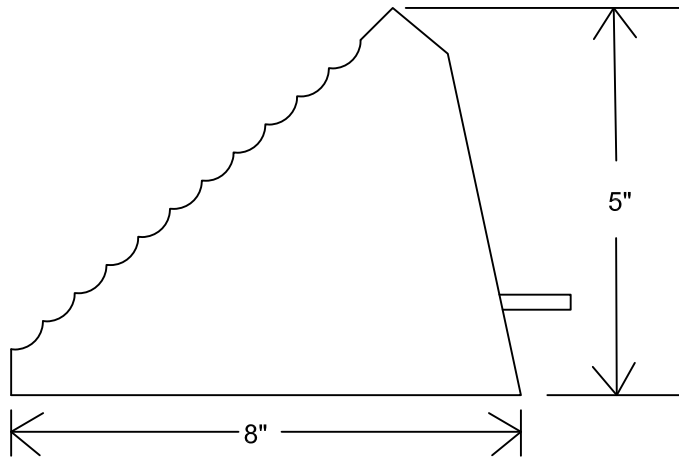
WIRING NOTES:

- A. WHITE: GROUND - 10
- B. BLACK: MARKER - 12
- C. YELLOW: LEFT TURN & BRAKE - 12
- D. RED: STOP / BRAKE - 12
- E. GREEN: RIGHT TURN & BRAKE - 12
- F. BROWN: TAIL - 12
- G. BLUE: ABS - 12

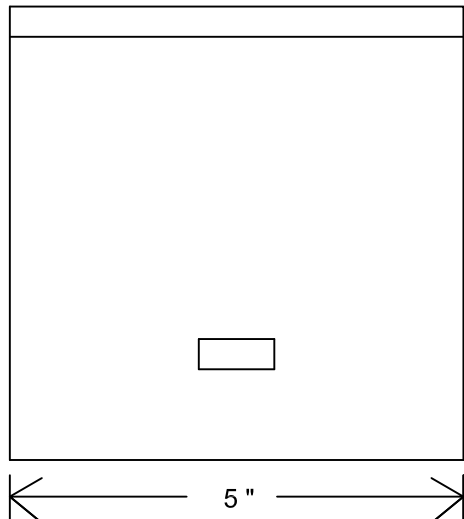


PA DEPARTMENT OF TRANSPORTATION

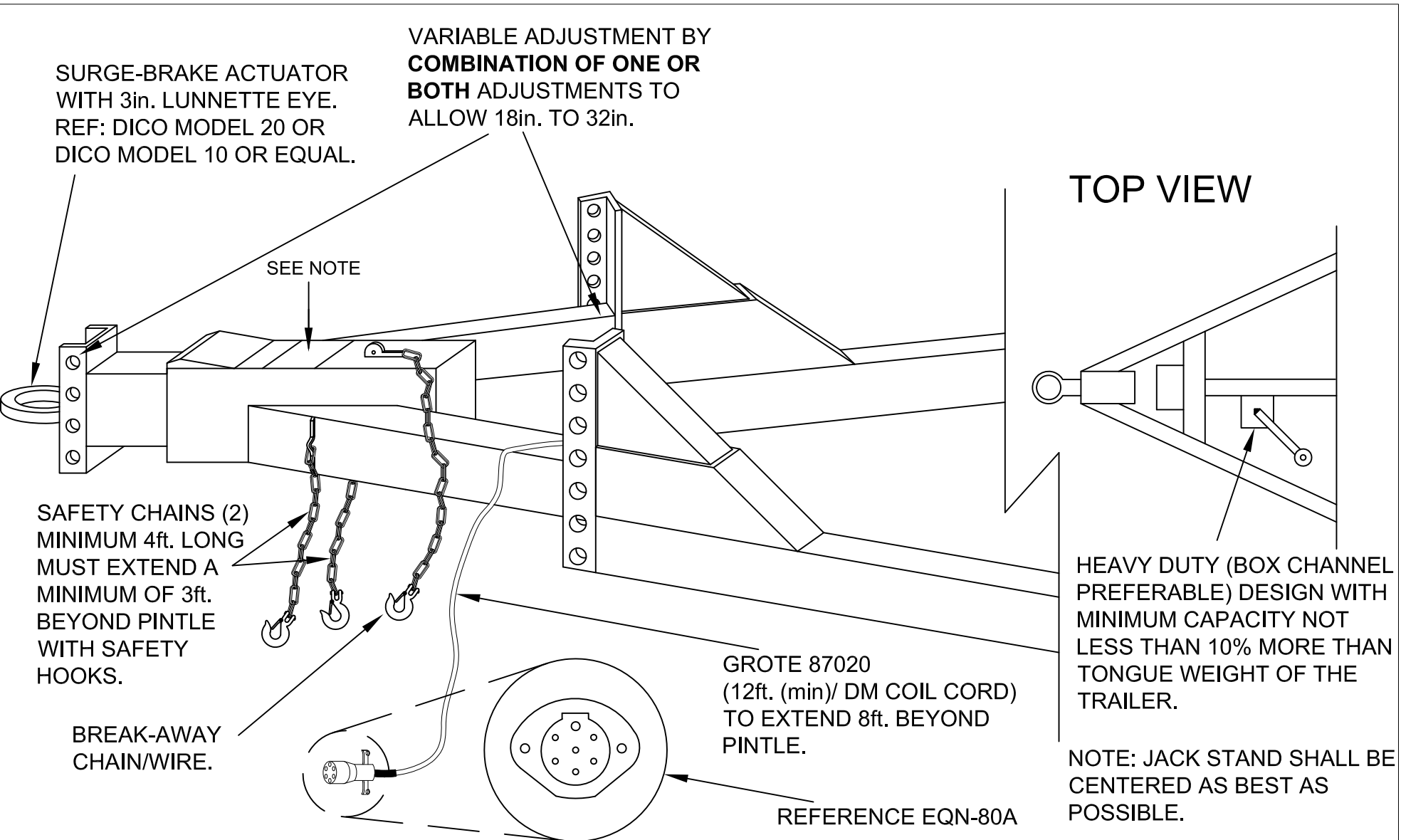
REVISIONS			WIRING DIAGRAM / 7 WAY ROUND PIN MALE CONNECTOR		
NO.	DATE	BY	DRAWN BY	SCALE	
1			JJB	N/A	EQN-80B
2					
3			DATE 08-02-16	CHKD BY	SHEET 1 OF 1



FINAL MOUNTING LOCATION SHALL BE DETERMINED AT THE PRE-BUILD MEETING. CHOCK HOLDERS SHALL BE ALUMINUM. TWO CHOCKS PER TRUCK SHALL BE SUPPLIED. CHOCKS SHALL HAVE 4 FEET OF $\frac{3}{8}$ INCH NYLON ROPE CONNECTING THE TWO CHOCKS TOGETHER.



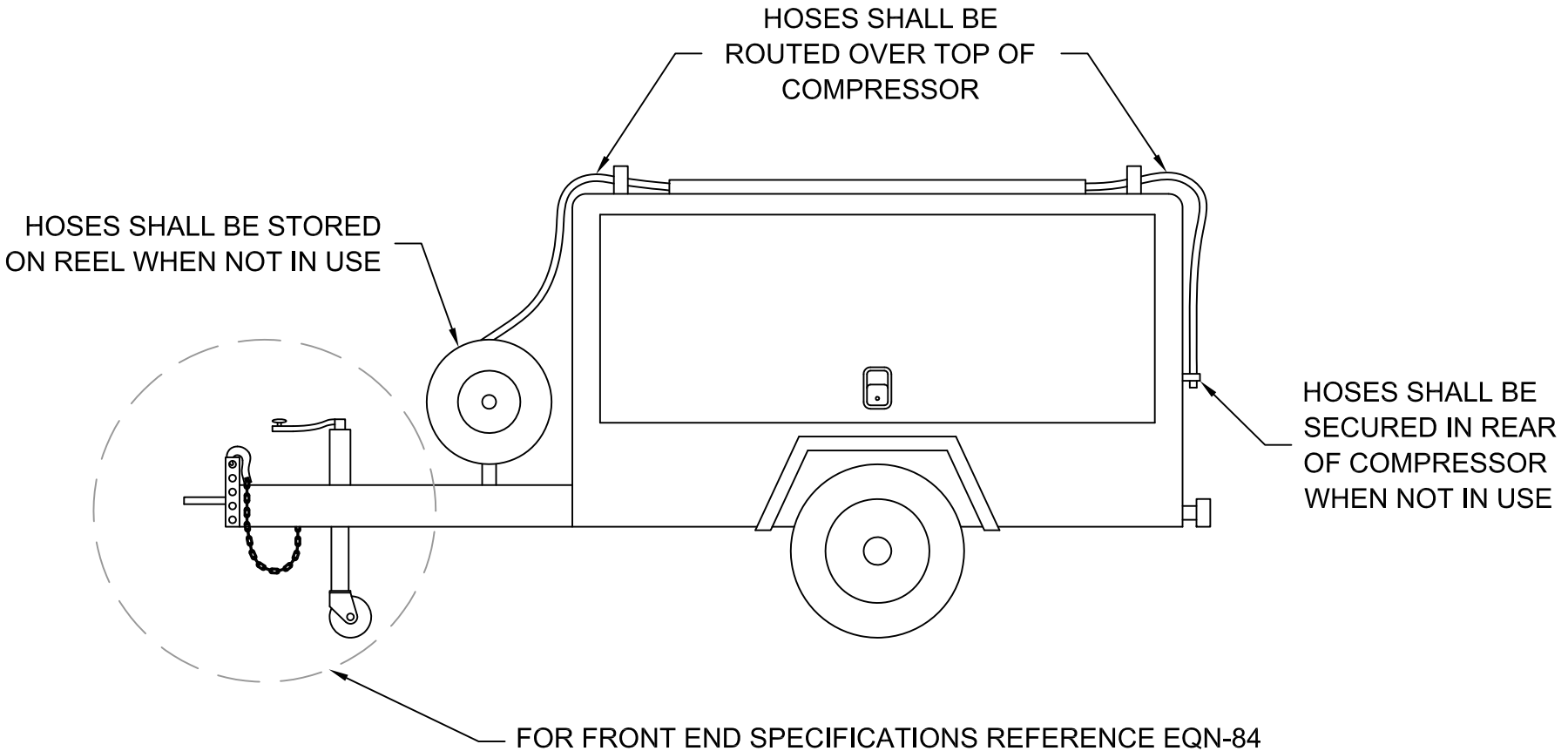
PA DEPARTMENT OF TRANSPORTATION					
REVISIONS			5" X 8" X 5" CHOCK AND HOLDER		
NO.	DATE	BY	DRAWN BY	SCALE	
1			JJB	N/A	EQN-82A
2					
3			DATE	07-22-15	CHK'D BY
			SHEET 1 OF 1		



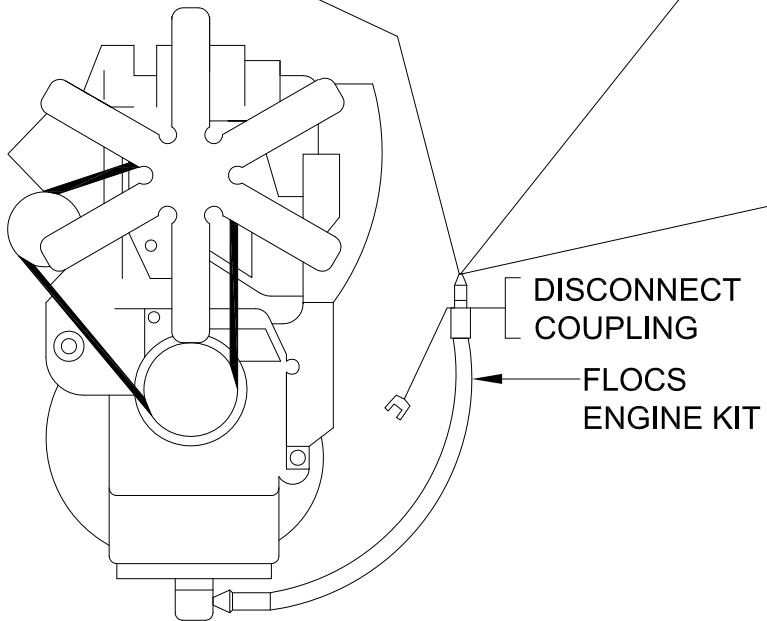
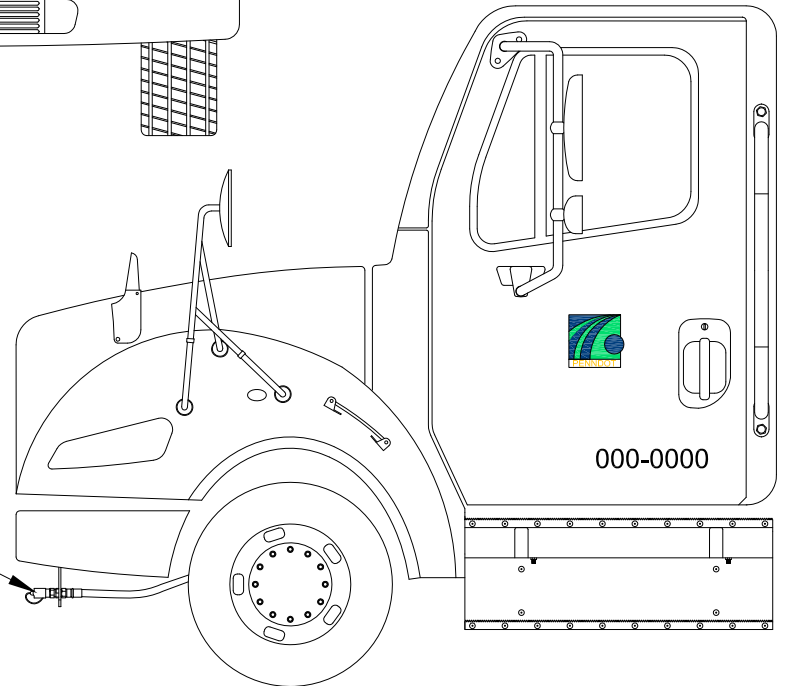
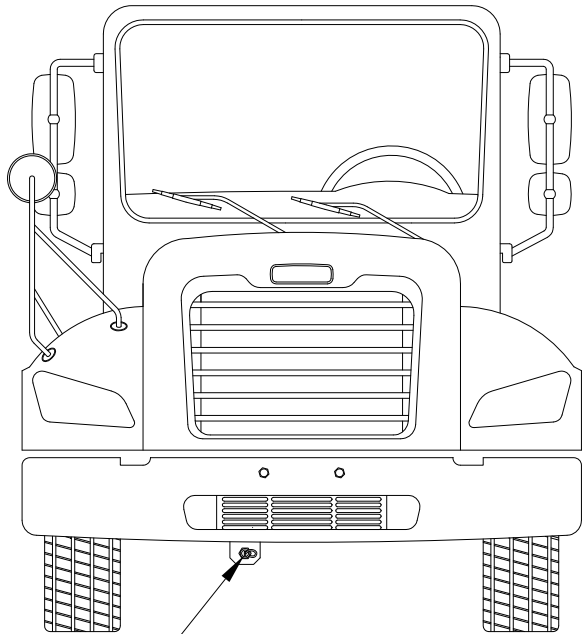
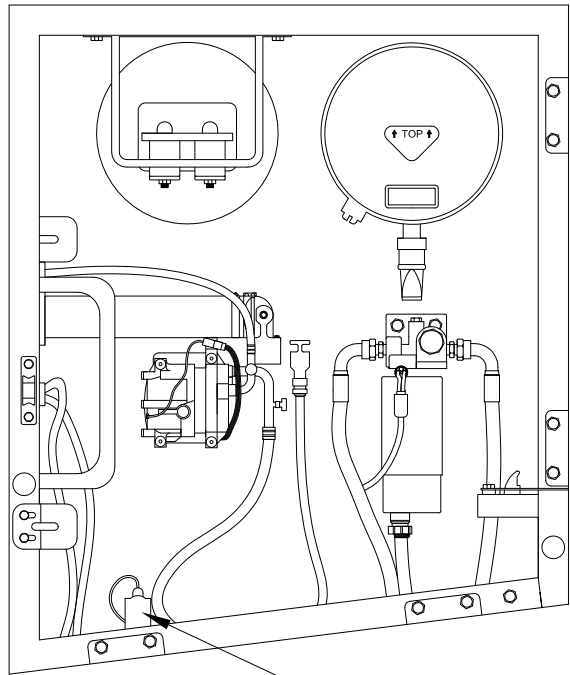
ANY ALTERNATE OR ADDITIONAL DESIGNS RECOMMENDED BY THE MANUFACTURER SHALL BE SUBMITTED, IN WRITING, TO THE FLEET MANAGEMENT DIVISION SPECIFICATION UNIT FOR APPROVAL. IF A PERMANENT HITCH MUST BE UTILIZED IT SHALL BE SET AT 28 INCHES.

NOTE: THERE SHALL BE A COLE HERSEE, HOLDER 11750 MOUNTED IN THE TONGUE AREA.

PA DEPARTMENT OF TRANSPORTATION							
REVISIONS			TRAILER, FRONT END SPECIFICATIONS				
NO.	DATE	BY	DRAWN BY	SCALE	N/A	EQN-84	
1	07-11-13	JFM					
2	08-21-14	ACT					
3	07-22-15	JJB	DATE	10-09-97	CHK'D BY	WHM	SHEET 1 OF 1



PA DEPARTMENT OF TRANSPORTATION					
REVISIONS			AIR COMPRESSOR		
NO.	DATE	BY			
1					
2			DRAWN BY	SCALE	
			JJB	N/A	EQN-143
3			DATE	CHK'D BY	
			12-20-16		SHEET 1 OF 1



PA DEPARTMENT OF TRANSPORTATION

REVISIONS			FAST LUBEOIL CHANGE SYSTEM OVERVIEW AND PARTS LIST			
NO.	DATE	BY	DRAWN BY	SCALE		
1	07-01-03	BLD				
2	10-20-06	CJW	DLW	N/A	EQN-351A	
3	06-19-13	JFM	08-22-97	WHM	SHEET 1 OF 2	

1. CONTACT AEROQUIP WITH YOUR DRAIN PAN PLUG SIZE
2. AEROQUIP DEALER TELEPHONE NUMBERS:

ADVANCED FLUID CONNECTORS.....717-757-1068
 AIR BRAKE & POWER EQUIPMENT CO..717-622-6188
 AMERICAN BEARING & POWER.....717-569-3291
 GOODALL RUBBER COMPANY.....610-534-2100
 POWER DRIVES INC.....814-833-8181
 R L MILLER INC.....412-833-6800
 R L MILLER INC.....814-456-8900
 SRG/BEVCO.....610-358-3100
 VOTO MANUFACTURERS SALES CO....814-226-7101

FLOCS SHALL INCLUDE, BUT NOT LIMITED TO:

- A. DUST CAP 5657-12
- B. HOSE TO SUIT LENGTH
- C. HOSE FITTING TO SUIT
- D. ADAPTER TO SUIT
- E. HOSE CLAMP #900729-6
- F. BRACKET TO SUIT
- G. COUPLING 5602-12-12S

PA DEPARTMENT OF TRANSPORTATION							
REVISIONS			FAST LUBEOIL CHANGE SYSTEM OVERVIEW AND PARTS LIST				
NO.	DATE	BY	DRAWN BY	DLW	SCALE	N/A	EQN-351A
1	07-01-03	BLD					
2	10-20-06	CJW	DATE	08-22-97	CHK'D BY	WHM	SHEET 2 OF 2
3	06-19-13	JFM					